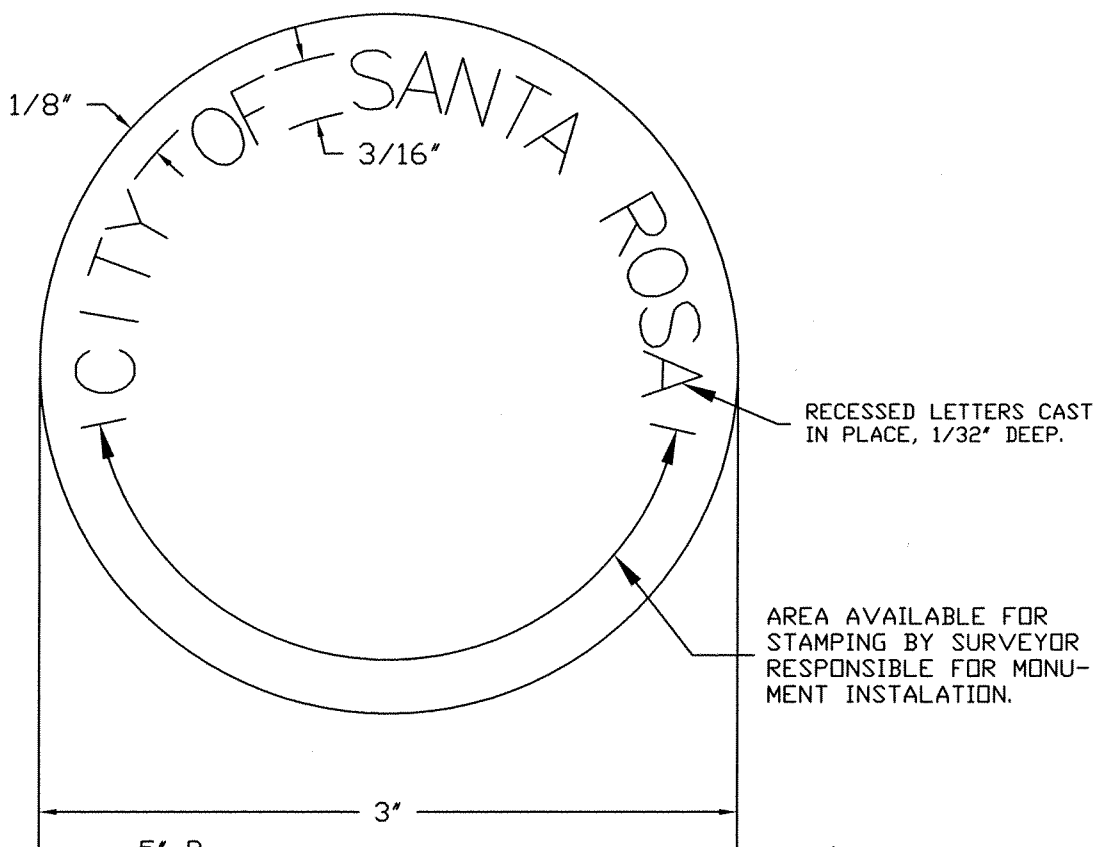


NOTES:

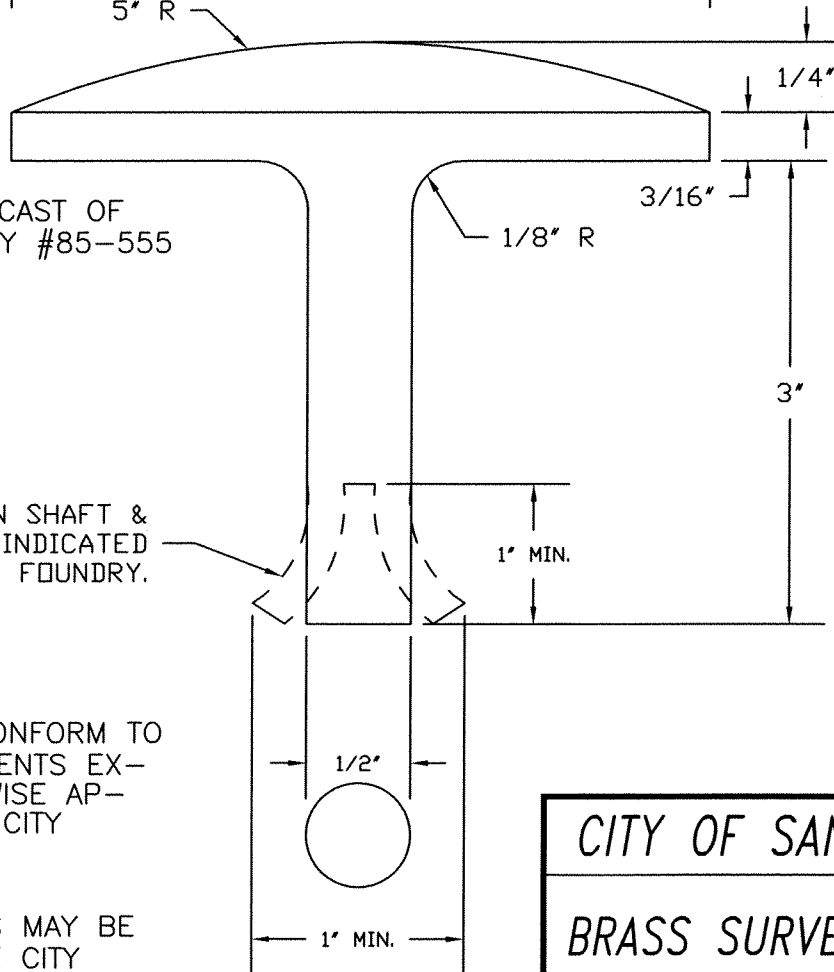
1. DESIGN SHALL CONFORM TO THESE REQUIREMENTS EXCEPT AS OTHERWISE APPROVED BY THE CITY ENGINEER.
2. CYLINDER MATERIAL SHALL BE THINWALL A.B.S. OR P.V.C. PLASTIC PIPE.
3. TOP OF MONUMENT CORE SHALL BE FINISHED SMOOTH & ROUNDED WITH NO CONCRETE ABOVE THE EDGE OF THE BRASS SURVEY MARKER.

CITY OF SANTA ROSA	
CITY MONUMENT	
Scale: NONE	Date: JAN 2004
DWN. SCA CHK.	APPROVED <i>M. Cabrera</i>
FILE NO. STD.- 280	



SURVEY MARKER CAST OF
 RED BRASS, ALLOY #85-555
 COPPER 85%
 TIN 5%
 ZINC 5%
 LEAD 5%

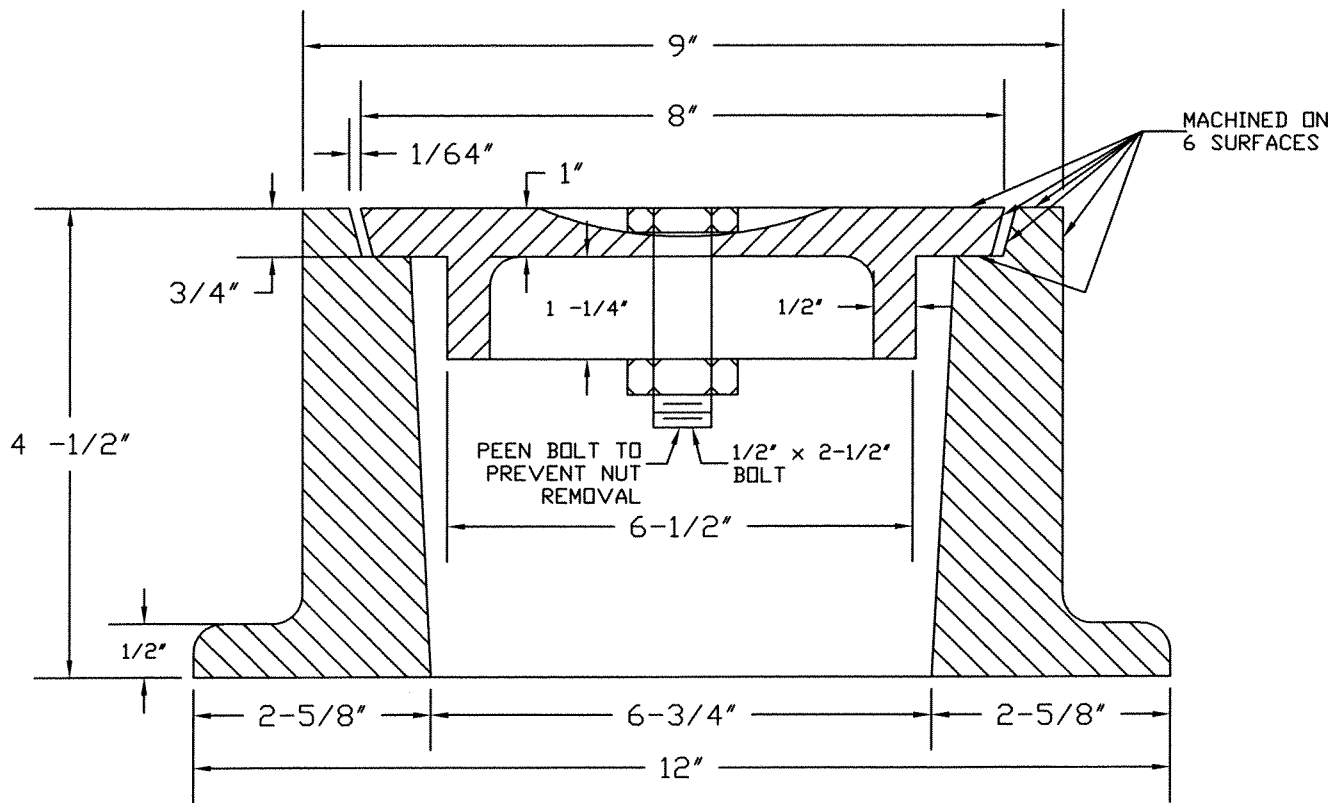
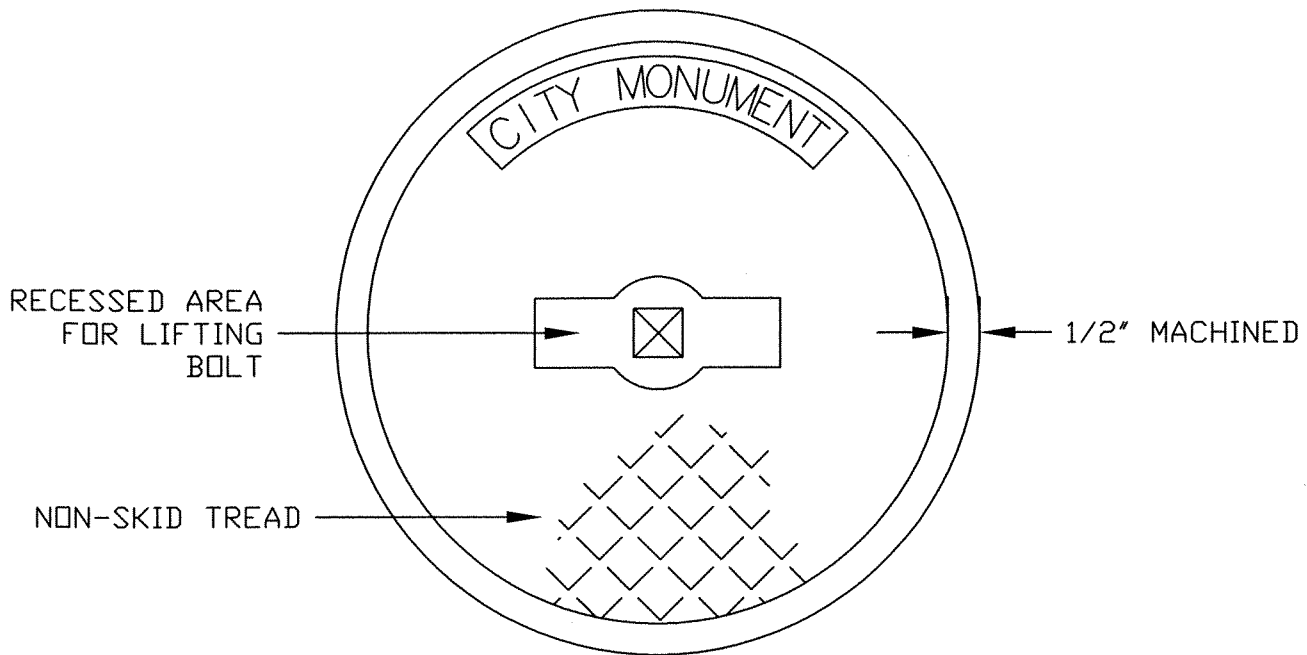
CUT SLOT IN SHAFT &
 SPREAD AS INDICATED
 AT FOUNDRY.



NOTES:

- DESIGN SHALL CONFORM TO THESE REQUIREMENTS EXCEPT AS OTHERWISE APPROVED BY THE CITY ENGINEER.
- SURVEY MARKERS MAY BE OBTAINED AT THE CITY MUNICIPAL SERVICES CENTER 55 STONY POINT ROAD.

CITY OF SANTA ROSA	
BRASS SURVEY MARKER	
Scale: NONE	Date: JAN 2004
DWN. SCA CHK.	APPROVED <i>Altabera</i>
FILE NO. STD.- 281	



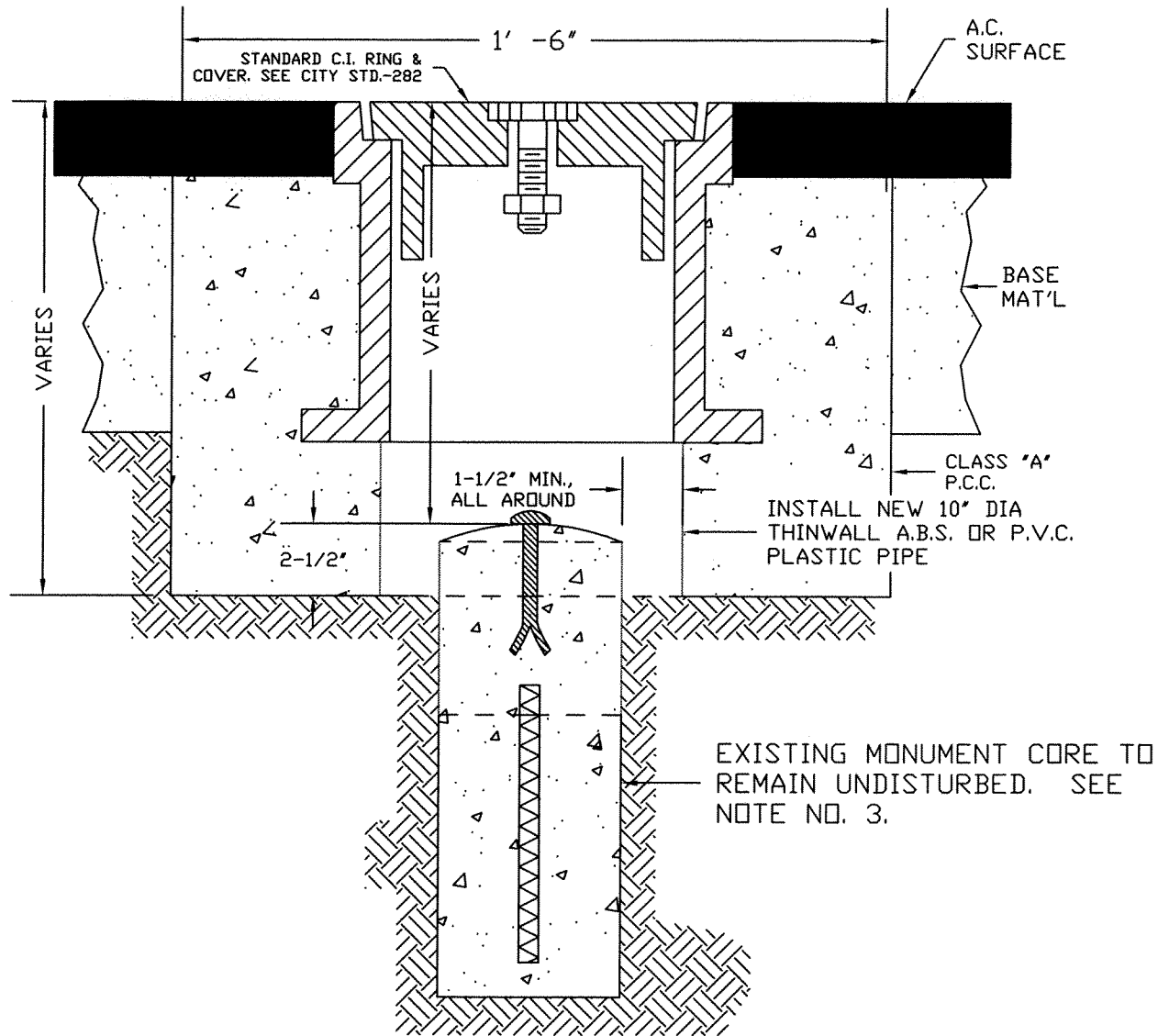
NOTES:

1. DESIGN SHALL CONFORM TO THESE REQUIREMENTS EXCEPT AS OTHERWISE APPROVED BY THE CITY ENGINEER.
2. ASTM CLASS 30 IRON CASTINGS DIPPED IN ASPHALT PAINT.

APPROVED MONUMENT COVERS

1. PHOENIX NO. P-2001-A OR "P-2001-E"
2. "VISCO NO. 129"
3. "AMERICAN BRASS AND IRON FOUNDRY MODEL 5020-21"
4. ARTMARK PROD. CO. APC-51
5. SANTA ROSA CAST PRODUCTS SP-51
6. ALTERNATE - FORNI CORPORATION TYPE 80-60-03

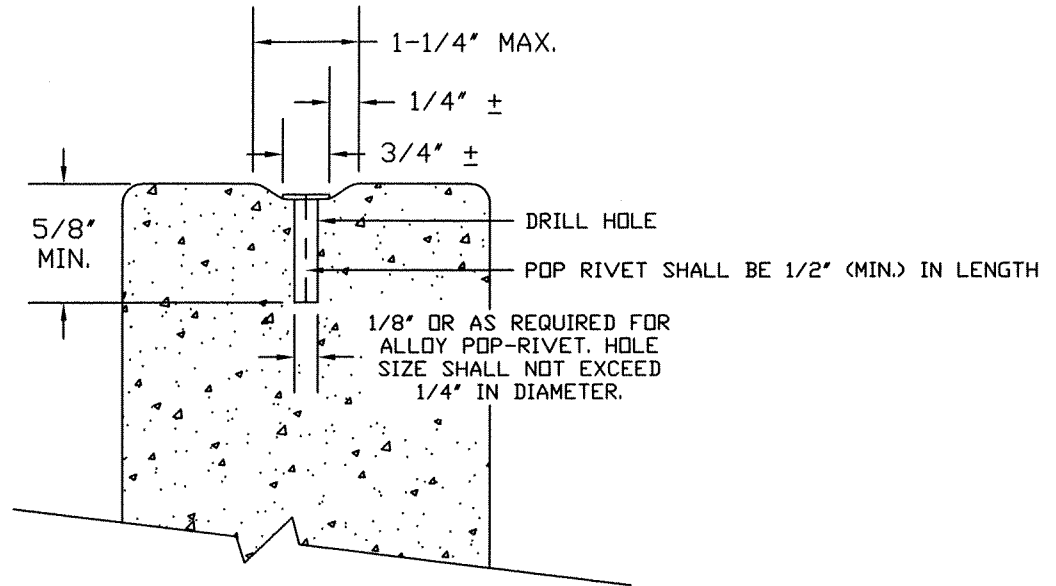
CITY OF SANTA ROSA	
CITY MONUMENT COVER	
Scale: NONE	Date: JAN 2004
DWN. SCA CHK.	<div style="display: flex; align-items: center;"> <div style="margin-right: 10px;">APPROVED</div> </div>
FILE NO. STD.- 282	



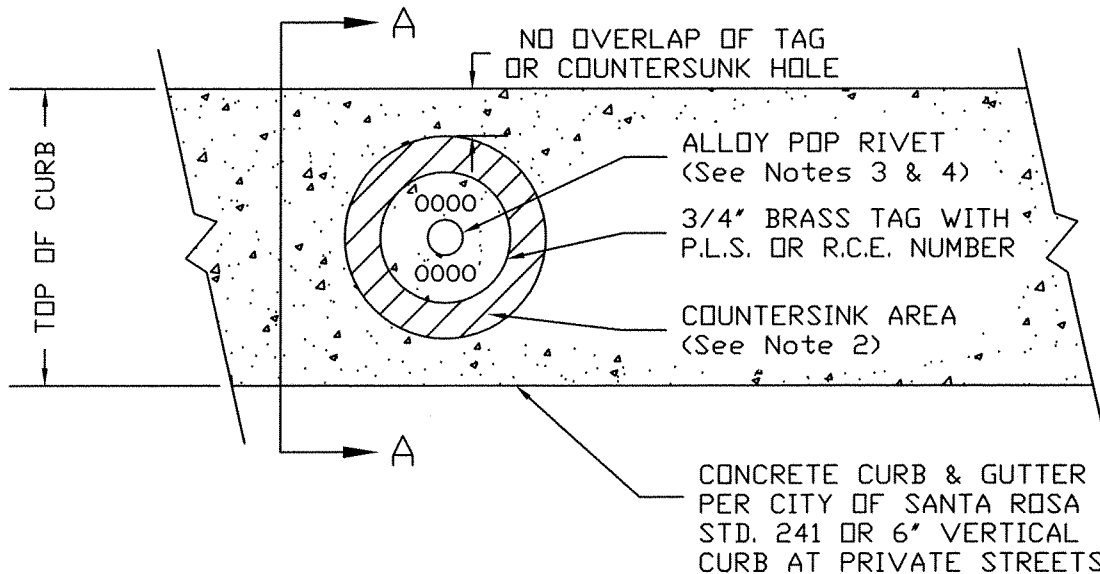
NOTES:

1. DESIGN SHALL CONFORM TO THESE REQUIREMENTS EXCEPT AS OTHERWISE APPROVED BY THE CITY ENGINEER.
2. EXISTING MONUMENT COVER, CONCRETE COLLAR AND OTHER MATERIAL SHALL BE REMOVED TO A DEPTH OF 2-1/2" BELOW TOP OF EXISTING MONUMENT.
3. DO NOT DISTURB EXISTING MONUMENT CORE. IF DISTURBED, CONTRACTOR SHALL REPLACE AS PER STD. 280 AT HIS EXPENSE FOR INSTALLATION AND SURVEY TIME NECESSARY TO RELOCATE THE ORIGINAL MONUMENT POSITION.

CITY OF SANTA ROSA	
CITY MONUMENT COVER REPLACEMENT	
Scale: NONE	Date: JAN 2004
DWN. SCA CHK.	APPROVED <i>M. Cabrera</i>
FILE NO. STD.- 283	



A-A



NOTES:

1. DESIGN SHALL CONFORM TO THESE REQUIREMENTS EXCEPT AS OTHERWISE APPROVED BY THE CITY ENGINEER.
2. BRASS TAG SHALL BE COUNTERSUNK SO THAT TOP OF TAG AND RIVET IS AT OR BELOW THE SURFACE OF THE TOP OF CURB. BRASS TAG SHALL BE SET TO ENSURE A PERMANENTLY PLACED MONUMENT. EPOXY RESIN MAY BE USED IN ADDITION TO ABOVE METHODS.
3. DRILL HOLE SHALL BE DRILLED ONLY. AN ALLOY POP RIVET SHALL BE USED TO ATTACH BRASS TAG TO TOP OF CURB (SEE NOTE 4).
4. IMPACT FASTENERS ARE NOT ALLOWED.

ADOPTED MAY 9, 1989 BY
CITY COUNCIL RES. # 19420

CITY OF SANTA ROSA			
LOT CORNER REFERENCE MONUMENT AT STREET FRONTAGE			
Scale: NONE		Date: JAN 2004	
DWN. SCA CHK.	APPROVED	FILE NO. STD.- 284	

Alta Berg